

MEASURING RANGE:

Voltmeters

Measuring range (V)	6	10	15	25	40	60	100	150	250	400	600
---------------------	---	----	----	----	----	----	-----	-----	-----	-----	-----

Measuring range (V) for connection to transformer

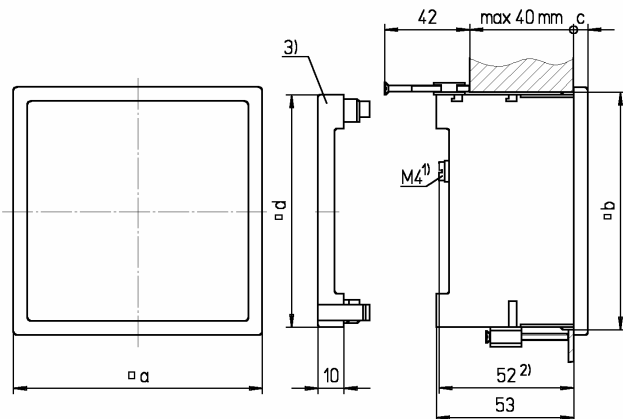
xV/ 100V

xV/ 110V

Instruments for connection to instrument transformers have the following ratings:

1-1.2-1.5-2-2.5-3-4-5-6- 7.5 (8) and decade multiples.

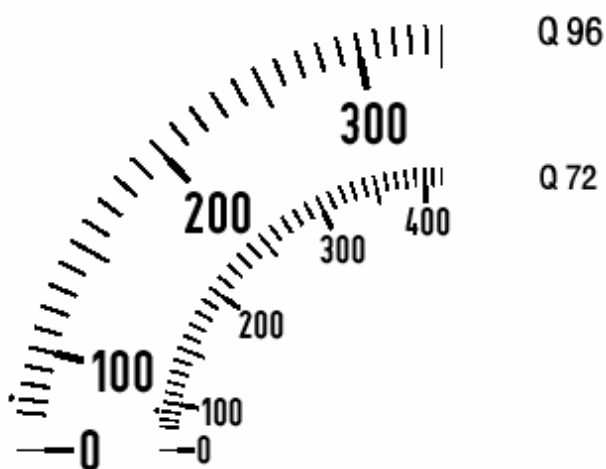
DIMENSIONAL DRAWINGS:



Picture 2: Dimensional drawing FQ3x07,
(all dimensions are in mm)

3) Protective cover (on special request)

SCALE

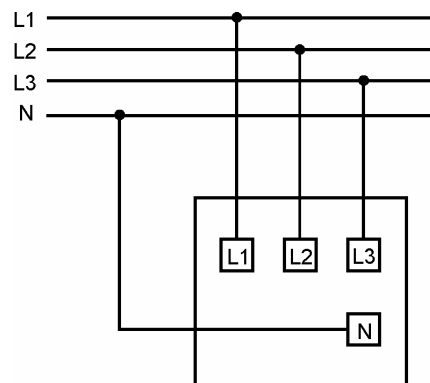


Picture 2: Drawing of scale: Normal version

Type		FQ3207	FQ3307
Bezel height (mm)	□ a	96	72
Panel cut-out (mm)	□ b	92 ^{+0,8}	68 ^{+0,8}
Bezel height (mm)	c	5,5	5,5
Protect cover (mm)	□ d	90	66,5
Scales length (mm)		95	63
Weight approx. (kg)		0,32	0,22

Table 1: Dimensions and weight

CONNECTION DIAGRAM:



Picture 3: Connection diagram for FQ3x07

ORDERING DATA:

- Instrument type,
- Measuring range and scale,
- Transmission ratio of instrument transformer.

ORDERING EXAMPLE:

- Voltmeter FQ3207, 0- 500 V

 **Iskra**
Iskra MIS, d.d.

Ljubljanska c. 24a
SI-4000 Kranj
Slovenia
tel.: +386 4 237 21 40
fax: +386 4 237 21 29
e-mail: info@iskra-mis.si
www.iskra-mis.si



CE