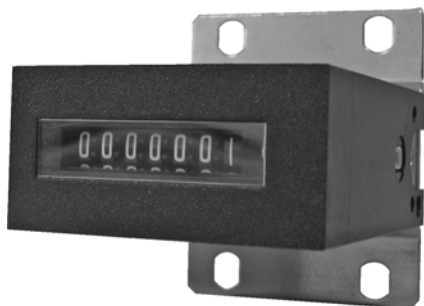


Pulse counter

SI-103, SI-123, SI-163



Highlights

- price competitive counter
- heavy duty
- 6 or 7 digit totalizer

Applications

- general event counting

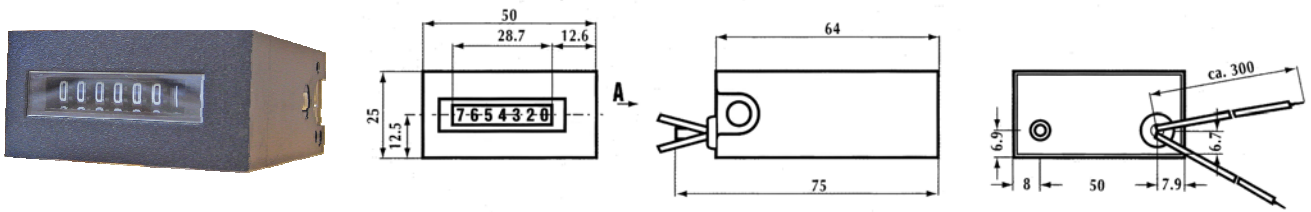
Mechanical data		Electrical data	
Counting	adding without reset	Operating voltage	24, 110, 230 V AC \pm 10% 50 Hz 6, 12, 24, 48 V DC \pm 10%
Display	6 or 7 digit	Power consumption	2 W – DC 5 VA - AC
Digit height	4 mm	Pulse duration	50 ms
Digit color	white on black	Pulse interval	50 ms
Housing	plastic black	Max. counting speed	10 pulses/sec
Operating life	20 x 10 ⁶ pulses	Cycle duration factor	100%
Weight	ca. 150 g	Connection	wire leads ca. 300 mm
Mounting versions	different		
Ambient conditions			
Operating temperature	-5 ^o C .. +55 ^o C	Protection	IP51
Storage temperature	-20 ^o C .. +70 ^o C	Relative humidity	max. 80% at +25 ^o C

Ordering

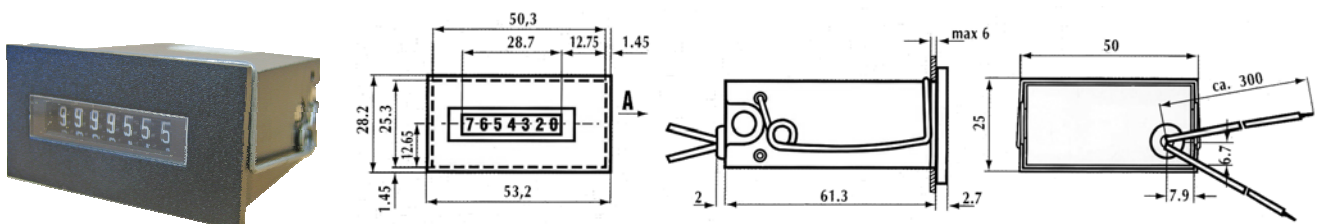
Model	Description
SI-103.3	7- digit, rear mount, front 50x25 mm
SI-103.7	6- digit, rear mount, front 50x25 mm
SI-123.3	7- digit, spring clip panel mount, front 53,2x28,2 mm
SI-123.7	6- digit, spring clip panel mount, front 53,2x28,2 mm
SI-163.3	7- digit, base mount, front 50x25 mm
SI-163.7	6- digit, base mount, front 50x25 mm

*voltage to be specified

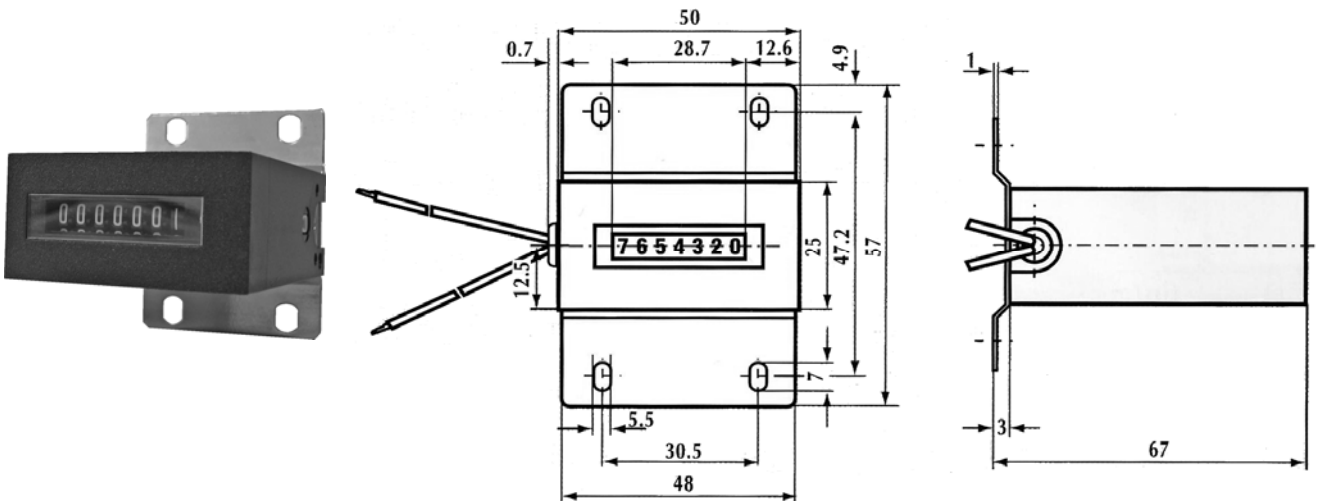
Pulse counter



SI-103



SI-123



SI-163