

## WS0030 – Three phase active energy meters

## WS0031 – Three phase active energy meters



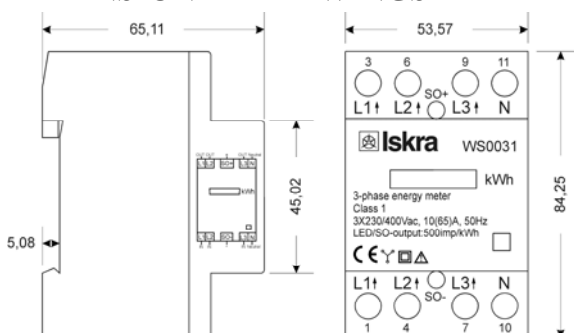
Iskra MIS, d.d.

### FEATURES

- Three phase direct connected DIN-rail mounting meter
- Class of meter 1 according EN62053-21 and EN62052-11
- Maximum current 65A ( $I_{max}$ )
- Base current ( $I_b$ )10A
- Starting current 0,004  $I_b$
- 3x 230/400 V rated system voltage input ( $U_n$ )
- Voltage operating range -20%...+15%  $U_n$
- Reference frequencies 50 or 60 Hz
- Power consumption voltage circuit < 6VA at  $U_n$
- Power consumption current circuit < 0.85W at  $I_{max}$
- Temperature range climatic condition as indoor meter according IEC62051-11
- Display 6+1 digit (100Wh resolution)
- Red LED for indication of energy flow and testing
- LED rate for energy flow 500p/kWh
- Pulse output (WS0031 only) according to EN62053-31:2001
- Pulse output rate 500 p/kWh
- Pulse output type optocoupler transistor-open collector

WS 0030 and WS 0031 are electronic three phase active energy meters. Meters measure positive active energy directly in 4- wire networks. There are two versions, one with pulse output (WS 0031) and the other without pulse output (WS 0030). Accuracy of the meters is class 1, according to the standard EN SIST 62053-21 for active energy meter. Meters can be mounted on DIN-rail (1 pitch).

### DIMENSIONAL DRAWINGS



### INSTALLATION

(see figures below)

For monitoring purpose only

Rail mounting according DIN EN50022

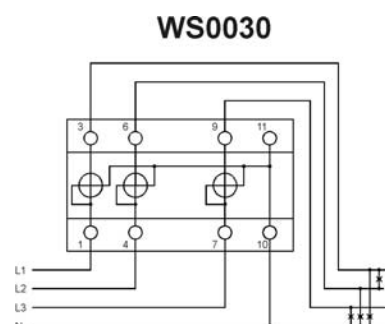
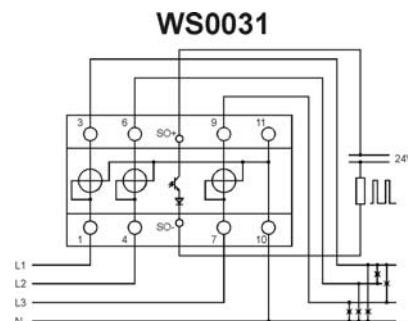
Power contacts capacity 2,5...16mm<sup>2</sup>

Connection screws M5

Pulse output contact capacity 1...2,5mm<sup>2</sup>

Pulse output screws M3

Max torque 1,2Nm



Ljubljanska 24a  
SI-4000 Kranj  
Slovenia  
Tel.: +386 4 237 21 40  
Fax: +386 4 237 21 29  
E-mail: [iskra@iskra-mis.si](mailto:iskra@iskra-mis.si)  
Internet: [www.iskra-mis.si](http://www.iskra-mis.si)

