

RISH DPM 196
RISH LD DPM 48X96 1PH.

Data Sheet

Digital Panel Meter for
measurement of AC voltage/current

Size: 96 x 96

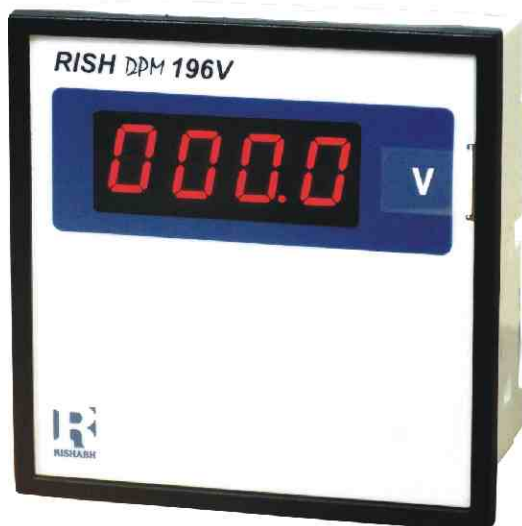
Size: 48 x 96 LD



RISH DPM 196A
1PH. current measurement (AC)



RISH LD DPM 48 x 96 1PH. ACI
1PH. current measurement (AC)



RISH DPM 196V
1PH. voltage measurement (AC)



RISH LD DPM 48 x 96 1PH. ACV
1PH. voltage measurement (AC)

Applications:

The digital panel meter **RISH DPM** has been designed for industrial applications, where precise and on-site adjustment of the display range is frequently required.

It can be used in industrial automation, laboratory uses and all kind of electrical panels for accurate measurement of current and voltages.

Features:

- Available in size 96mm x 96mm and 96mm x 48mm.
- Accuracy - 0.5%.
- Available with standard current and voltage ranges.
- On site programmable CT/PT ratio.
- 3 ½ digit ultra bright display.
- User defined caption
- Auxillary power supply :

AC – 230V (+10% / -15%).
110V (+10% / -15%).

DC – 24V (21... 30V)
110V (only for Rish LD DPM 48 x 96)

Highly adaptable DPMs suitable for a wide range of measuring applications.

The chosen input range is user adjustable, from 5% to 100% of the full-scale value, for simple adaptation of the digital readout corresponding to the input value.

Specifications:

Display:

| | |
|-----------------------------|---|
| Display range | 1999 |
| Decimal point position | Selectable by short links at the front side of Display. |
| Negative display indication | "_" |
| Digit height | 14 mm / 7- segment digits. (Optional : 20 mm) |
| Overload indication | "1", Last 3 digits blank if display >1999. |

Measuring ranges :

| | |
|--|--|
| Model | 196A / 396A / 48X96 1PH. ACI |
| System | 1PH. |
| Current ranges available (Voltage drop < 600 mV) | 0...1A [45...65 Hz] or 0...1A [400 Hz] or 0...5A [45...65 Hz] or 0...5A [400 Hz] |
| Model | 196V / 48X96 1PH. ACV |
| Voltage ranges available (Input current < 600 µA) | 0...110 V [45 ... 65 Hz] or 0...110 V [400 Hz] or 0...240 V [45 ... 65 Hz] or 0...240 V [400 Hz] or 0...500 V L_L [45...65 Hz] or 0...500 V L_L [400 Hz]. |

Maximum continuous input 120% of rated value

Overload withstand :

:Voltage 2 x rated value for 0.5 sec. max.
Current 10 x rated value for 0.5 sec. max.

Accuracy :

Measuring accuracy : Current < 0.5% + 1 digit.
Voltage < 0.5% + 1 digit.

Model : 196 A / V

Temperature coefficient 300 ppm / °C, plus.
Zero point drift 200 ppm / °C.

Model : 48x96 1PH. ACI / ACV

Temperature coefficient 100 ppm / °C, plus.
Zero point drift 200 ppm / °C.
Range adjustment span from 5% to 100% of range.

Power supply :

Direct voltage DC 24V DC (21...30V) isolated.
110V DC isolated. (only for Rish LD DPM 48 x 96)

Burden ≤ 5.5W.
Alternating voltage AC 110V AC (+10% / -15%) isolated.
230V (+ 10% / -15%) isolated.

Burden ≤ 5.5VA
Frequency 47...60 Hz.

Ambient conditions

Operating temperature 0 ... 55 °C.
Storage temperature - 25 ... 70 °C.

Sundry

Connections Plug-in screw terminal blocks.

Dimensions and Weight

Model : 196 A / V

Bezel size 96 mm x 96 mm DIN 43700
Panel cut-out 92 + 0.8 mm x 92 + 0.8 mm
Overall depth 55 mm.
Weight 500 gm. Approx.

Model : 48x96 1PH., ACI / ACV

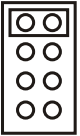
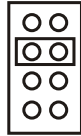
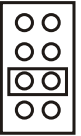
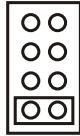
Bezel size 96 mm x 48 mm DIN 43718
Panel cut-out 92 + 0.8 mm x 43.5 + 0.6 mm
Overall depth 68 mm.
Weight 300 gm. Approx.

Applicable Regulations and Standards

| | |
|---------------------------|-------------------------|
| Protection Class | IP 20 to IEC EN 60 529 |
| Front | IP 50 |
| Device safety | IEC EN 61 010 |
| EMC immunity | IEC/ EN 61 000-4-1 to 4 |
| EMC radiated interference | IEC/ EN 61326 Class B |

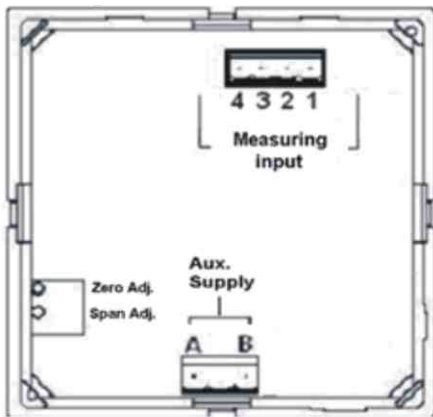
Decimal point adjustment:

Decimal point position is selectable by short links at the front side of display

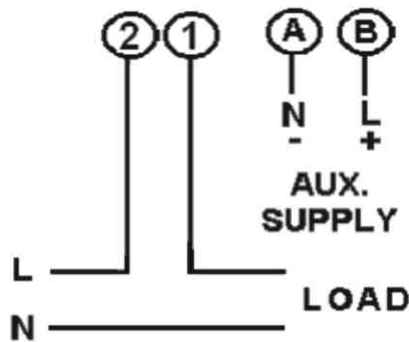
| | | | | |
|-----------------------------------|---|---|---|---|
| Short link position |  |  |  |  |
| Decimal point position on display | XXXX | X.XXX | XX.XX | XXX.X |

Connection Diagram :

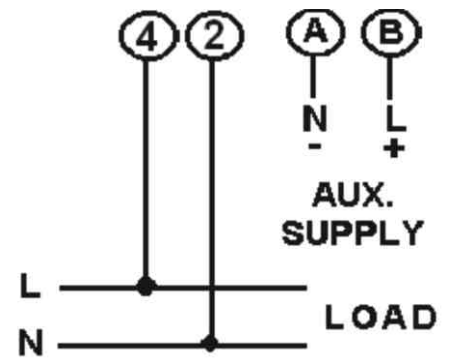
RISH DPM 196A / V



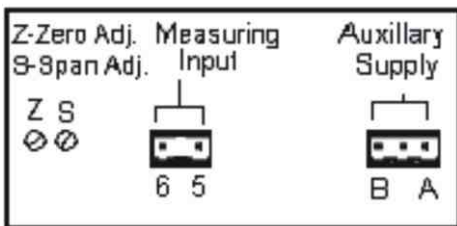
RISH DPM 196A



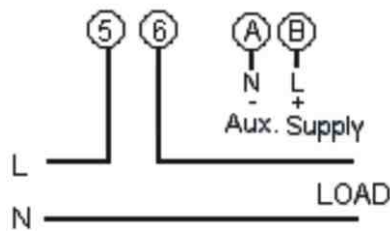
RISH DPM 196V



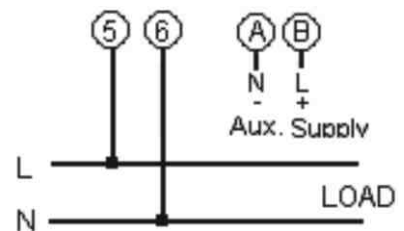
RISH LD DPM 48x96 1PH.AC1 / ACV



RISH LD DPM 48x96 1PH.AC1



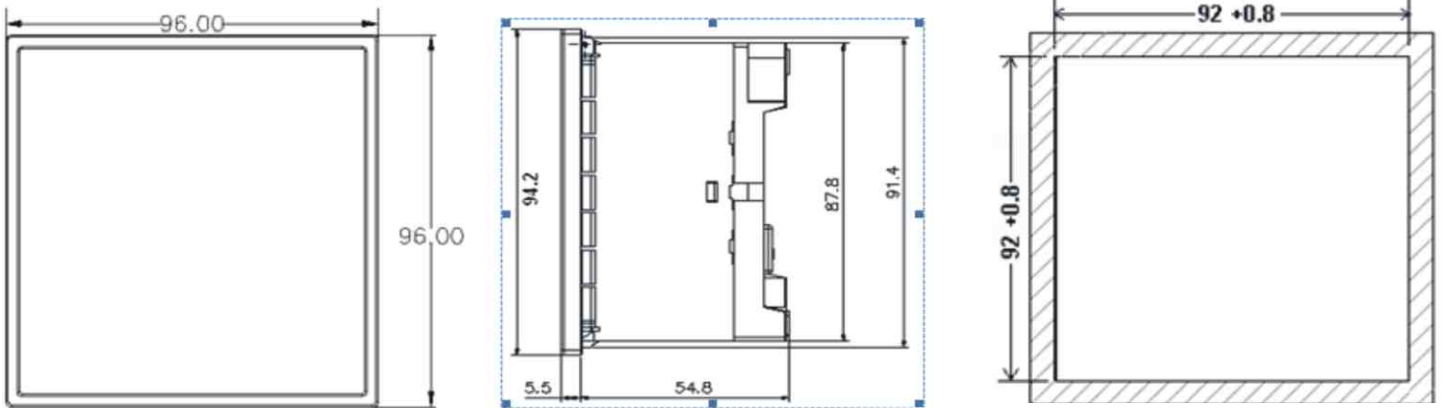
RISH LD DPM 48x96 1PH.AC.V



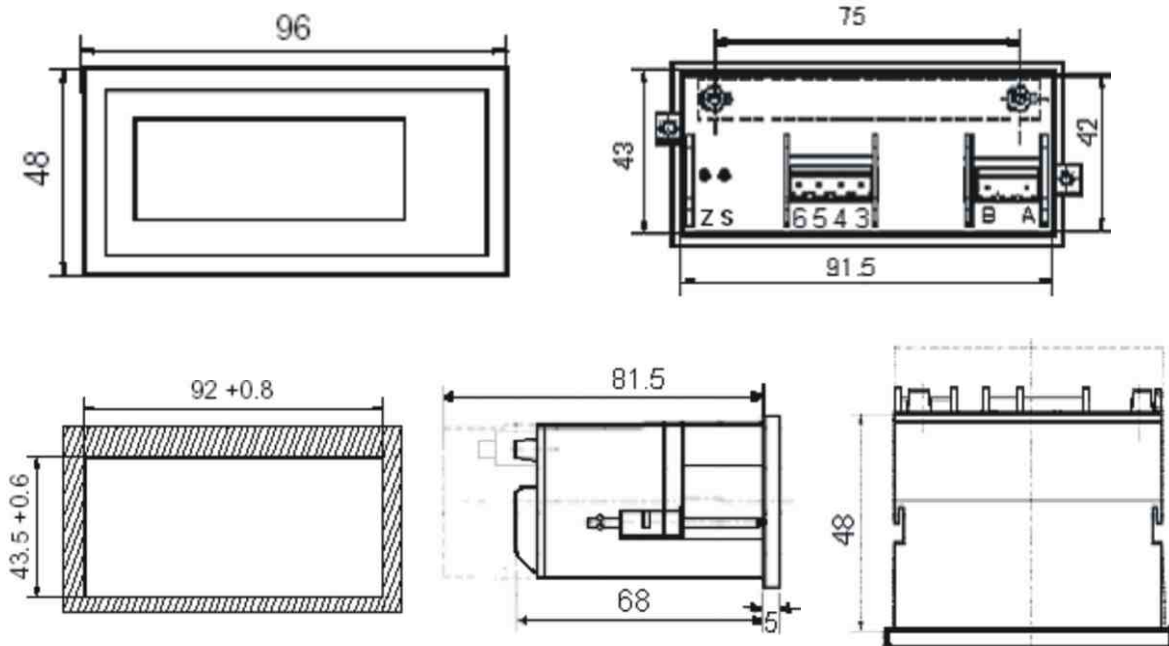
Dimensions:

Note: All dimensions are in mm

RISH DPM 196 A / V



RISH LD DPM 48x96 1PH. ACI / ACV



Panel Cutout

Mounting Position

Order Details:

RISH DPM 196 A / V

| | Example1 | Example2 |
|--------------------|----------------------|----------------------|
| Type | RISH DPM 196A | RISH DPM 196V |
| Measuring Input | 0...1 A | 0...500 V L-L |
| Input Frequency | 50Hz | 50 Hz |
| Display Full-Scale | 0...1000 | 0...500 |
| Display caption | A | V |
| Aux. Supply | 230V AC, 50 Hz. | 110V AC, 50 Hz |

RISH LD DPM 48x96 1PH. ACI / ACV

| | Example1 | Example2 |
|--------------------|---------------------------------------|---------------------------------------|
| Type | RISH LD DPM 48x96 1PH. ACI | RISH LD DPM 48x96 1PH.AC V |
| Measuring Input | 0...1 A | 0...500 V L-L |
| Input Frequency | 50Hz | 50 Hz |
| Display Full-Scale | 0...1000 | 0...500 |
| Display caption | A | V |
| Aux. Supply | 110V DC, 50 Hz. | 230V AC, 50 Hz |



**RISHABH
INSTRUMENTS**
Measure, Control & Record with a Difference

RISHABH INSTRUMENTS PVT.LTD.
F-31, MIDC, Satpur, Nashik-422 007, India.
Tel.: +91 253 2202028, 2202202 Fax : +91 253 2351064
E-mail : India :- marketing@rishabh.co.in
International :- exp.marketing@rishabh.co.in
www.rishabh.co.in